

Description & Features

- Non isolated piezoresistive silicon sensor
- Pressure ranges: 0...5 mbar to 0...1 bar
0...500 Pa to 0...100 kPa
- Accuracy: 0.2% F.S. or 0.5% F.S.



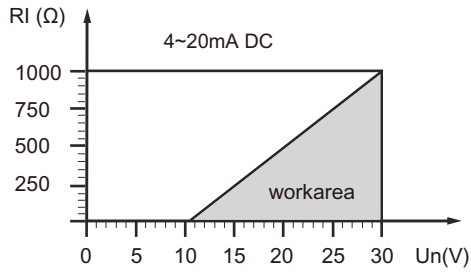
Applications

- Clean
- Air duct
- HVAC
- Chamber of a stove or furnace
- Spin

Specifications

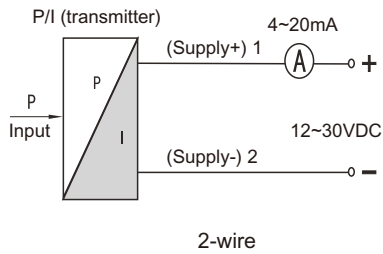
Range	Positive gauge pressure		Negative gauge pressure		Absolute pressure	
	Minimum	Maximum	Minimum	Maximum	Minimum	Maximum
	5 mbar 500 Pa	1 bar 100 kPa	-5 mbar -500 Pa	-0.3 bar -30 kPa	0.35 bar 35 kPa	1 bar 100 kPa
Accuracy	0.2% F.S., 0.5% F.S.					
Operating voltage	12...30VDC, 24VDC					
Signal output	4...20mA, 0...10VDC, 0...5VDC, Customer request.					
Temperature range	Compensation Temperature		Media Temperature	Operating Temperature	Storage Temperature	
	0...50°C, -10...80°C, Customer request		-25...85°C	-20...85°C	-40...125°C	
Temperature influence	0.02%F.S./°C					
Electrical connections	DIN 43650 Pg 9., Male plug M12X1(4 pin), Flying leads with Cable, Customer request.					
Protection class	IP 65, IP 67					
Threaded connection	G1/2"B, 1/2" NPT, M20X1.5, Customer request					
Vibration	20g, 20Hz...5kHz					
Shock	100g, 11ms					
Housing material	Low-copper aluminum alloy, SUS 304 SS					
Service life	>1X10 ⁸ Pressure cycles					

Load Characteristics

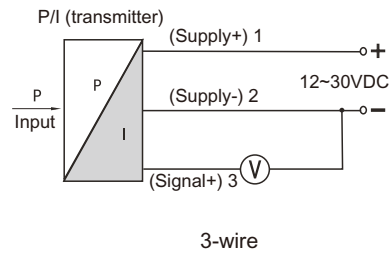


$$RI \leq \frac{(Un-12)}{20} K\Omega$$

Pin Configuration

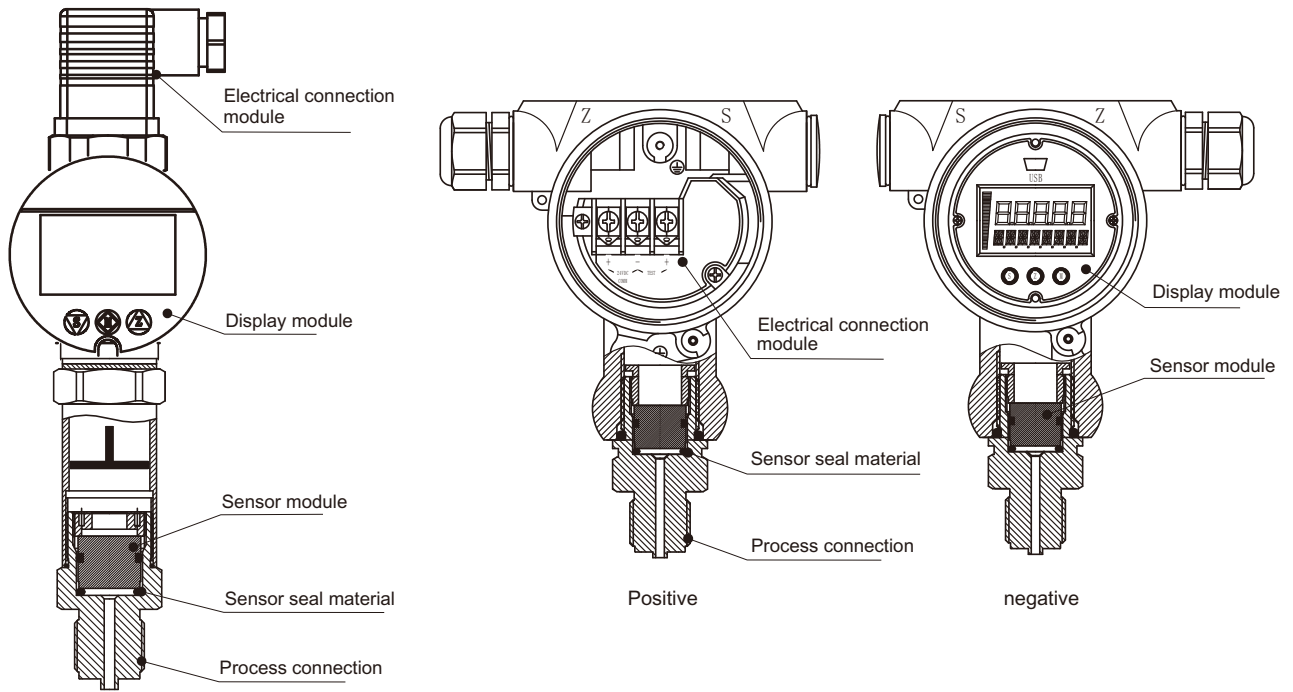


2-wire (4~20mA)
 DIN 43650 Pg 9.
 1 Supply+
 2 Supply-

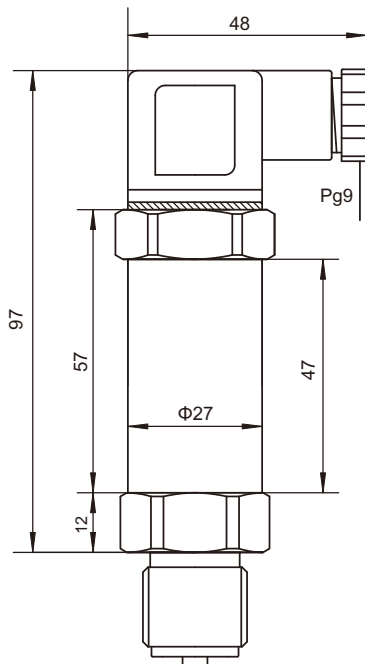


3-wire
 DIN 43650 Pg 9.
 1 Supply+
 2 Supply-
 Signal-
 3 Signal+

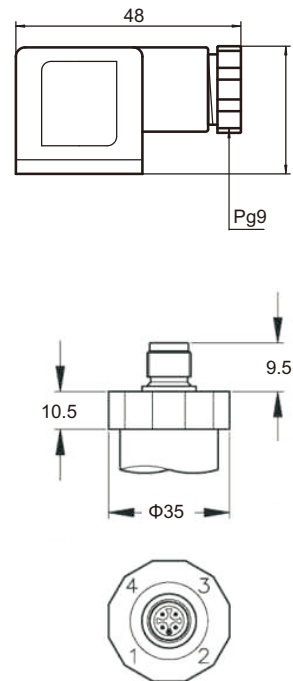
Installation Figure



Dimensions (Unit: mm)

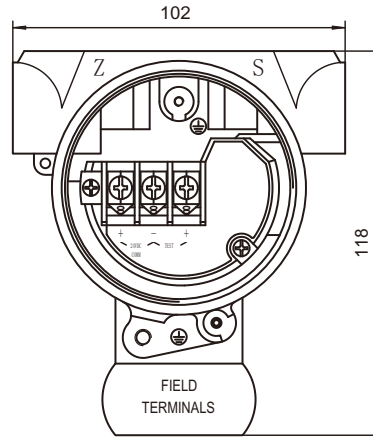
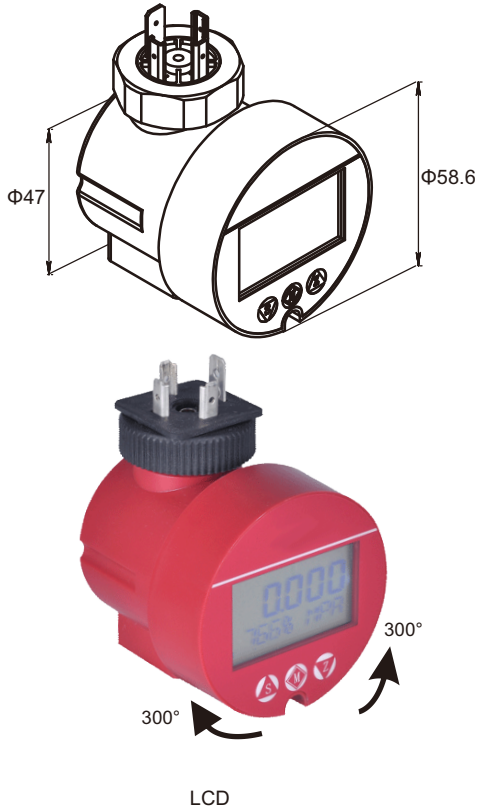


Electrical Connections (Unit: mm)

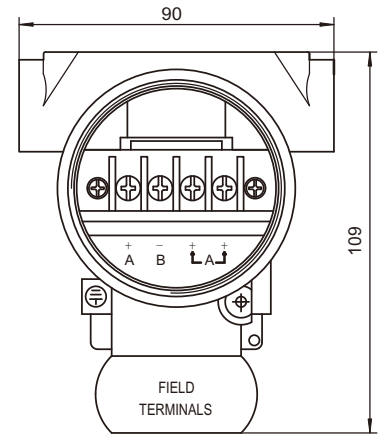


Male plug M12X1(4 pin)

LCD / Junction box Dimensions (Unit: mm)

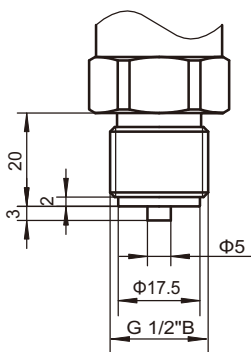


Junction box IP 67 (with LCD display)
Code: T

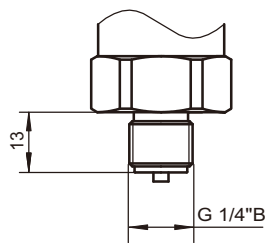


Junction box IP 67 (without display)
Code: W

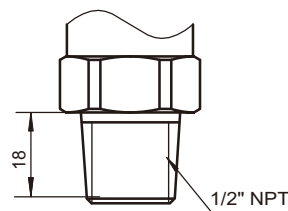
Process Connections (Unit:mm)



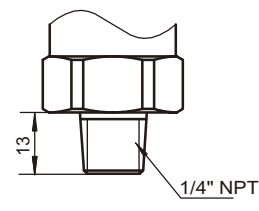
G 1/2" B



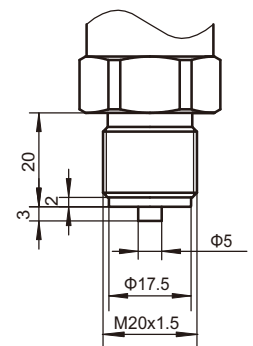
G 1/4" B



1/2" NPT



1/4" NPT



M20X1.5

Ordering Code LY1 Series

- Non isolated piezoresistive silicon sensor
- Pressure ranges: 0...5 mbar to 0...1 bar
0...500 Pa to 0...100 kPa
- Accuracy: 0.2% F.S. or 0.5% F.S.



Field No.	Code	Specifications
1.	LY1	Series
2.	G	Pressure Type Gauge
	A	Absolute
3.	XXXX	Input (See LY1 Series Pressure Range) Range
4.	1	Output 4...20mA / 2-wire
	3	0...10VDC / 3-wire
	5	0...5VDC / 3-wire
	9	Customer request
5.	2	Accuracy 0.2% (Ultra-stable Sensor type)
	5	0.5% (Common Sensor type)
6.	1A	Electrical connections DIN 43650 Pg 9.
	F5	Flying leads with cable IP 65
	F7	Flying leads with cable IP 67
	2A	Male plug M12X1(4 pin)
	T	Junction box IP 67 (with LCD display)
	W	Junction box IP 67 (without display)
	99	Customer request
7.	S	Explosion proof grade Standard (Without explosion proof)
	9	Customer request
8.	0	Display Without Display
	C	LCD (DIN 43650 Pg 9. only)
	9	Customer request
9.	0	Length of cable outlet Without
	1	1m (Standard)
10.	T	Process Connection Material 304 Stainless steel
	S	316 Stainless steel
	9	Customer request
11.	2G	Process Connection G1/2" B
	2N	1/2" NPT
	ZM	M20X1.5
	4G	G1/4" B
	4N	1/4" NPT
	999	Customer request
12.	3	Seals Stainless steel welding
	999	Customer request

Ordering Code LY1 Series Pressure Range

Code	Input		Overload	
	Range	Gauge pressure		
G0005	0 - 5 mbar	0 - 500 Pa	500 mbar	50 kPa
G0010	0 - 10 mbar	0 - 1 kPa	500 mbar	50 kPa
G0020	0 - 20 mbar	0 - 2 kPa	500 mbar	50 kPa
G0050	0 - 50 mbar	0 - 5 kPa	500 mbar	50 kPa
G0100	0 - 100 mbar	0 - 10 kPa	1.05 bar	105 kPa
G0200	0 - 200 mbar	0 - 20 kPa	1.05 bar	105 kPa
G0350	0 - 350 mbar	0 - 35 kPa	1.05 bar	105 kPa
G0500	0 - 500 mbar	0 - 50 kPa	1.05 bar	105 kPa
G0700	0 - 700 mbar	0 - 70 kPa	1.05 bar	105 kPa
G1001	0 - 1 bar	0 - 100 kPa	1.05 bar	105 kPa
Absolute pressure				
A0350	0 - 350 mbar	0 - 35 kPa	1.05 bar	105 kPa
A0500	0 - 500 mbar	0 - 50 kPa	1.05 bar	105 kPa
A0700	0 - 700 mbar	0 - 70 kPa	1.05 bar	105 kPa
A1001	0 - 1 bar	0 - 100 kPa	1.05 bar	105 kPa
Compound pressure				
C0500	-5 - 5 mbar	-500 - 500 Pa	500 mbar	50 kPa
C0900	-10 - 10 mbar	-1 - 1 kPa	500 mbar	50 kPa
C1500	-20 - 20 mbar	-2 - 2 kPa	500 mbar	50 kPa
C2000	-50 - 50 mbar	-5 - 5 kPa	1.05 bar	105 kPa
C0500	-100 - 100 mbar	-10 - 10 kPa	1.05 bar	105 kPa
C0900	-200 - 200 mbar	-20 - 20 kPa	1.05 bar	105 kPa
C1500	-300 - 350 mbar	-30 - 35 kPa	1.05 bar	105 kPa
9999	Customer		Customer	