

Description & Features

- Highly accurate reading of low pressures
- Stainless steel wetted part
- Ranges from 1 kPa to as 60 kPa

Applications

- Suitable for measuring gaseous media both corrosive and non-corrosive
- Used to measure natural gas pressure as well air flow indications and leak detection
- Vacuum pumps, air compressors, air filters, gas burners, vacuum ovens, suction regulators and respirators

Specifications

Standard
EN837-3

Dial Size
2.5"(63mm), 4"(100mm) and 6"(160mm),
white aluminum

Pressure Range
Range from 2 kPa to 60 kPa of dial size 4" or 6"
Range from 2.5 kPa to 60 kPa of dial size 2.5"

Note: the range from 0-6 kPa to 0.6 kPa is special request

Case Material
304 stainless steel

Lens Material
Tempered glass (option: safety glass code: SA)

Ring Material
304 stainless steel

Pointer
Aluminum black adjustable

Capsule Material
316L stainless steel

Movement
Stainless steel

Socket Material
316 stainless steel

Connection Size
1/4", 1/2", in NPT, G, BSP, BSPT and M20x1.5

Protection
IP 54 per EN 60529 / IEC 529
Note: only dial size the range is above 160 mbar and 100mm or 160mm can be filled oil



Working Pressure
75% of full scale value

Over-pressure Limit
30% of full scale value

Ambient / Process Temperature
-40 °F to 150 °F (-40 °C to 65 °C)

Accuracy
±1.6% ANSI / ASME Grade B
- For dial size 4" or 6" the range from 4 kPa to 60 kPa or from vacuum to 4 Kpa
±2.5% ANSI / ASME Grade B
- For dial size 2.5" the range from 2.5 kPa to 60 kPa or from vacuum to 2.5 Kpa
- For dial size 4" or 6" the range from 2 kPa to 2.5 kPa
Note: Above 16 kPa available with liquid fillable only for dial size 4" and 6"

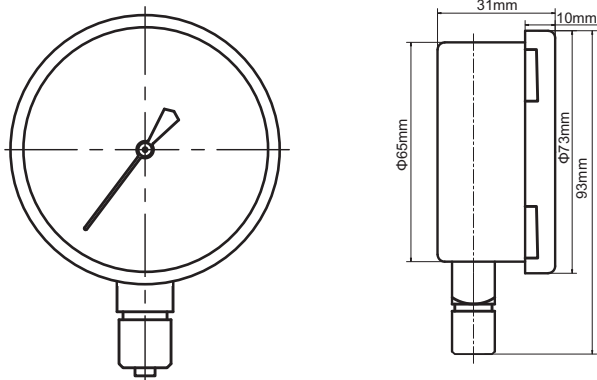
Option
Silicone filled
Safety glass
Blowout disk, U-Clamp
Use no oil
Oxygen Cleaning
Stainless steel tag number plate
Calibration Certificate
Material Certificate
Safety glass + Front flange
Safety glass + Back flange
Safety glass + Silicone filled
Safety glass + Blowout disk
Front flange + U-Clamp
Safety glass + Silicone filled + Back flange
Safety glass + Silicone filled + Blowout disk

Order Information

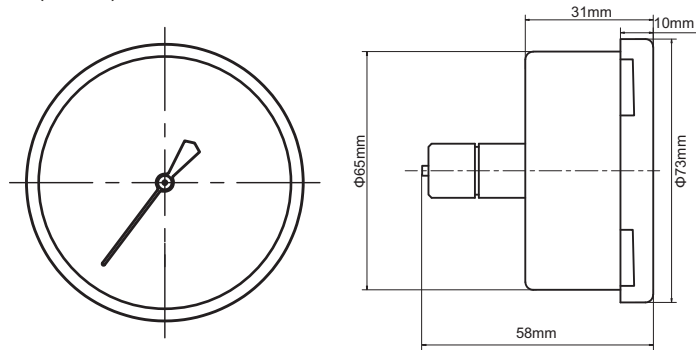
Series/ Dial Size/ Case Materials/ Wetted Parts/ Configuration/ Connection Size/ Thread/ Range/ Option

Dimensions

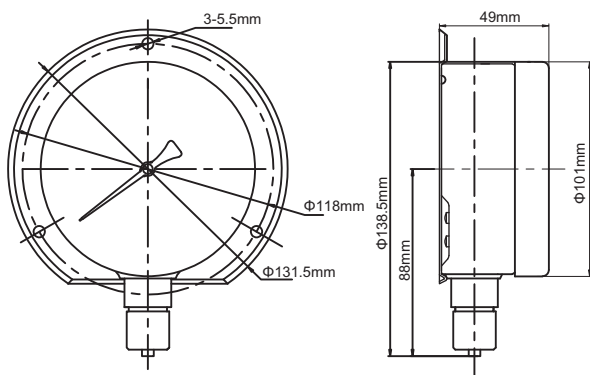
2.5" (63mm) Bottom Connection



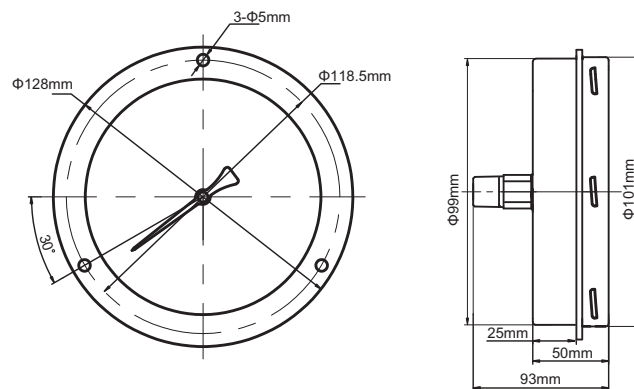
2.5" (63mm) Centre Back Connection



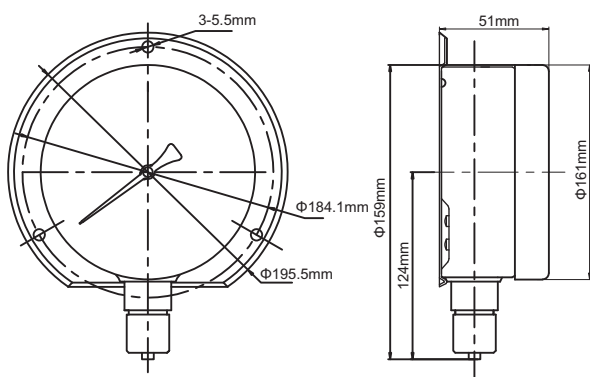
4" (100mm) Bottom Connection with optional Back Flange



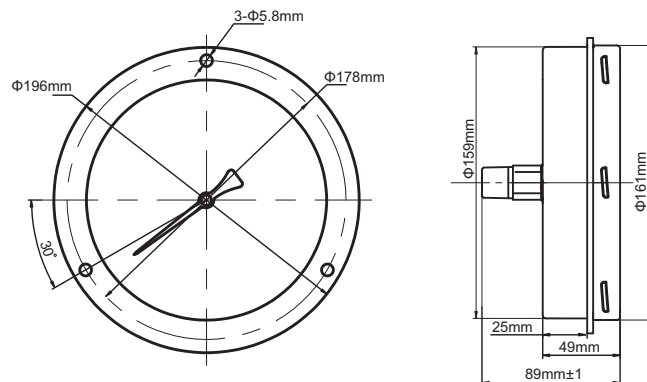
4" (100mm) Centre Back Connection with optional Front Flange



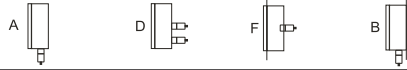
6" (160mm) Bottom Connection with optional Back Flange



6" (160mm) Centre Back Connection with optional Front Flange



Ordering Code PLP Series

Field No.	Code	Specifications					
1.	PLP	Series					
Dial Size							
2.	25	2.5" (63mm)					
	40	4.0" (100mm)					
	60	6.0" (150mm)					
	Z	Special					
Case Materials							
3.	T	304 SS					
	Z	Special					
Wetted Parts							
4.	S	316 SS					
	L	316L SS					
	Z	Special					
Configuration							
5.	A	Bottom connection, stem mounting					
	D	Back connection, stem mounting					
	B	Bottom connection, back flange, surface mounting					
	F	Back connection, wide front flange, (drilled) panel mounting					
	Z	Special					
							
Connection							
6.	4	1/4"					
	2	1/2"					
	Z	Special					
Thread							
7.	N	NPT					
	B	BSP (G)					
	T	BSPT (R)					
	F	M14X1.5					
	M	M20X1.5					
	Z	Special					
8.		Range (XXXX)					
Standard Ranges							
psi	3.6/0	0/0.87	0/8.7				
	5.8/0	0/1.45					
	8.7/0	0/0.3	0/2.32				
		0/0.35	0/3.6				
kPa		0/0.6	0/5.8				
	-25/0	0/2	0/16				
	-40/0	0/2.5	0/25				
	-60/0	0/4	0/40				
mbar		0/6	0/60				
		0/10					
					0/100		
				0/20	0/160		
mm/H2O				-250/0	0/25	0/250	
				-400/0	0/40	0/400	
				-600/0	0/60	0/600	
							0/1000
					0/200	0/1600	
					0/250	0/2500	
					0/400	0/4000	
					0/600	0/6000	

Continued on the following page

Continued from the previous page

Ordering Code PLP Series

Field No.	Code	Specifications
9.		Options
	SD	Silicone filled
	SA	Safety glass
	SB	Blowout disk
	SH	U-Clamp
	SY	Use no oil
	SL	Oxygen Cleaning
	SM	Stainless steel tag number plate
	SO	Calibration Certificate
	GH	Material Certificate
	DA	Safety glass + Front flange
	DB	Safety glass + Back flange
	DL	Safety glass + Silicone filled
	DD	Safety glass + Blowout disk
	DH	Front flange + U-Clamp
	TB	Safety glass + Silicone filled + Back flange
TC	Safety glass + Silicone filled + Blowout disk	

Note: Above 16 kPa available with liquid fillable only for dial size 4" and 6"