

Description & Features

- High quality gauge designed to work with a pneumatic transmitter or controller
- 3...15 psi with a variety of receiver ranges
- 316 stainless steel or brass wetted parts

Applications

- Reliable indication of changes in pressure temperature, flow, level, or other measured variables

Specifications

Dial Size

4.5"(115mm) white aluminum

Pressure Range

3...15 psi to 3...27 psi (0.2...1.0 bar to 0.2...2 bar)

Case

Black phenolic with safety blowout back, solid front, integral back flange

Solid Wall

Phenolic

Lens

Polycarbonate

Ring Material

Phenolic

Pointer

Aluminum, black adjustable

Bourdon Tube

Phosphor bronze or 316L SS

Movement

304 stainless steel with over/under stops

Socket Material

Brass or 316 stainless steel

Connection

1/4", 1/2", in NPT, BSP, BSPT

Protection

IP 65

Process Temperature

-40°F to 200°F (-40°C to 93°C) dry /
-4°F to 150°F (-20°C to 65°C) glycerin-filled

Ambient Temperature

-40°F to 200°F (-40°C to 93°C) dry
-4°F to 150°F (-20°C to 65°C) glycerin filled

Over-pressure Limit

25% of full scale value
Maximum 75% of full scale value

Accuracy

±0.5% ANSI/ASME Grade 2A

Welding

TIG/Silver alloy

Options

Glycerin filled (bottom connection only)
Safety glass 4.5"
Front mounting ring
6" hinged case solid front (back connect only)
Hinged case solid front (back connect only)



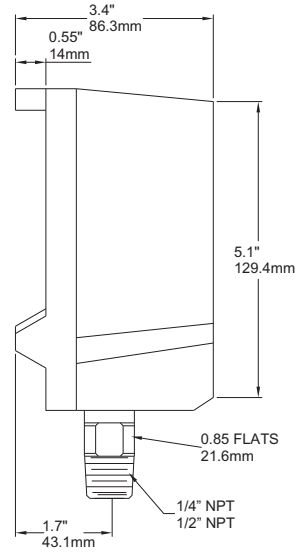
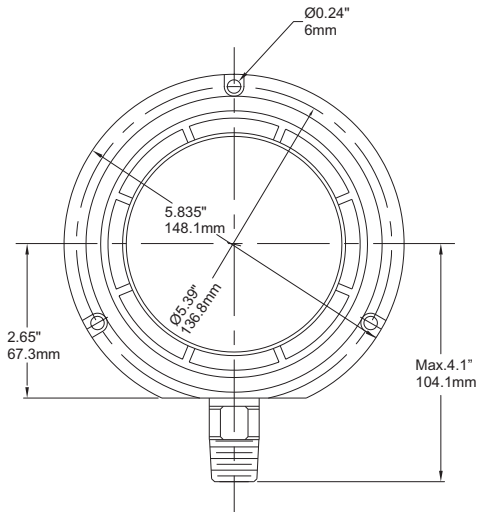
Order Information

Series/ Dial Size/ Case Materials/ Wetted Parts/ Configuration/ Connection Size/ Thread/ Range/ Option

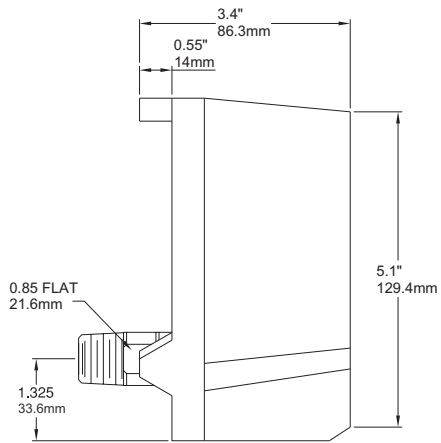
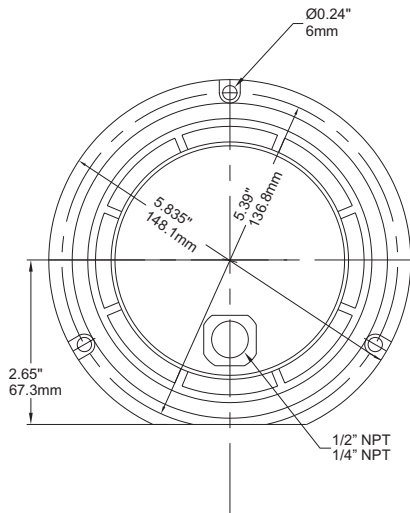
PRC Receiver Gauge

Dimensions

4.5" Bottom Connection




4.5" Back Connection



PRC Receiver Gauge

Ordering Code PRC Series

Field No.	Code	Specifications						
1.	PRC	Series						
Dial Size								
2.	45	4.5" (115mm)						
Case Materials								
3.	F	Phenolic						
Wetted Parts								
4.	L	316L SS						
	B	Brass						
	Z	Special						
Configuration								
5.	A	Bottom connection, stem mounting						
	D	Back connection, stem mounting						
	Z	Special						
								
Connection								
6.	4	1/4"						
	2	1/2"						
	Z	Special						
Thread								
7.	N	NPT						
	B	BSP (G)						
	T	BSPT (R)						
	Z	Special						
8.		Range (XXXX)						
Standard Ranges								
MPa		0/0.1						
		0/0.16						
bar			0/1					
			0/1.6					
psi		0/15						
		0/30						
	0/3							
	0/5							
kg/cm ²	0/10							
		0/1						
		0/1.6						
kPa			0/100					
			0/160					
Options								
9.	SEAC	Glycerin filled (bottom connection only)						
	SA45	Safety glass 4.5"						
	FFMR	Front mounting ring						
	60ST	6" hinged case solid front (back connect only)						
	STFD	Hinged case solid front (back connect only)						