

Description & Features

Facilitates a "sealed system" allowing the easy replacement of the thermometer without the need to shut or drain the system.

Specifications

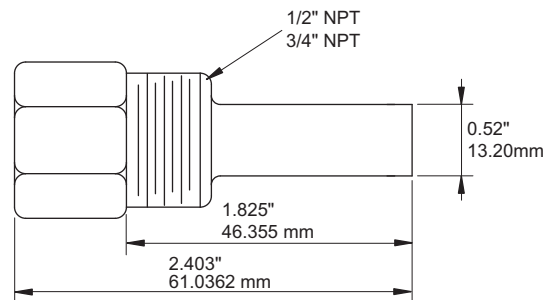
Process Connection
1/2" or 3/4" NPT standard

Bore
0.52" (13.2mm) standard

Construction
Stepped construction standard;
Tapered or straight construction available upon request

Material
Brass, 304, 316 stainless steel

Option
BSP & BSPT threads



Ordering Code

T5S - [] - [] [] [] - [] - []

Material

304 SS 2
316 SS 5
Brass B

Stem Length

1.75" (standard) 0 1 7
Others (in inches X10) x x x

Process Thread Size

1/2" 3
3/4" 1

Process Thread Type

NPT N
BSP B
BSPT T