

SAS Adjustable Snubber

Description & Features

The winters Adjustable Snubber significantly lessens the damaging effects of pulsation on pressure gauges, transducers, transmitters, manometers and pressure switches. These Adjustable Snubbers can be used to change the amount of restriction. Adjustments to the valve can be made even while the snubber is in service. The use of snubber will improve the reading accuracy of the instrument.

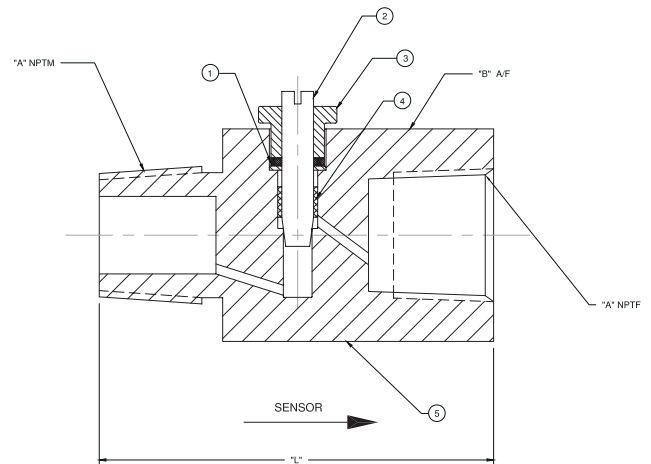
Winters Adjustable Snubber will prolong the life of pressure instruments demanding especially in industrial applications including: pumps, compressors, hydraulic pressure or fluid power applications.



Specifications

SR. No	Description	St/St	Brass
1	Gland Seal	Teflon	Teflon
2	Stem	St/St 316	St/St 316
3	Gland	St/St 316	Brass
4	Gland Washer	St/St 316	St/St 316
5	Body	St/St 316	Brass

SR.No.	"A"	"L"	"B"
1.00	1/2"NPT	62mm/2.44"	32mm/1.26"
2.00	1/2"NPT	52mm/2.05"	22mm/0.87"



Ordering Code

SAS - - -

Material

Brass B
316 stainless steel S

Connection size

1/4" 4
3/8" 3
1/2" 2

Connection Thread

NPT N
BSP B
BSPT T

Caution:

When adjustable the valve, do not adjust more than two turns from the closed position as leakage will occur.

Note:

1/2" connection size has 10,000 psi rating